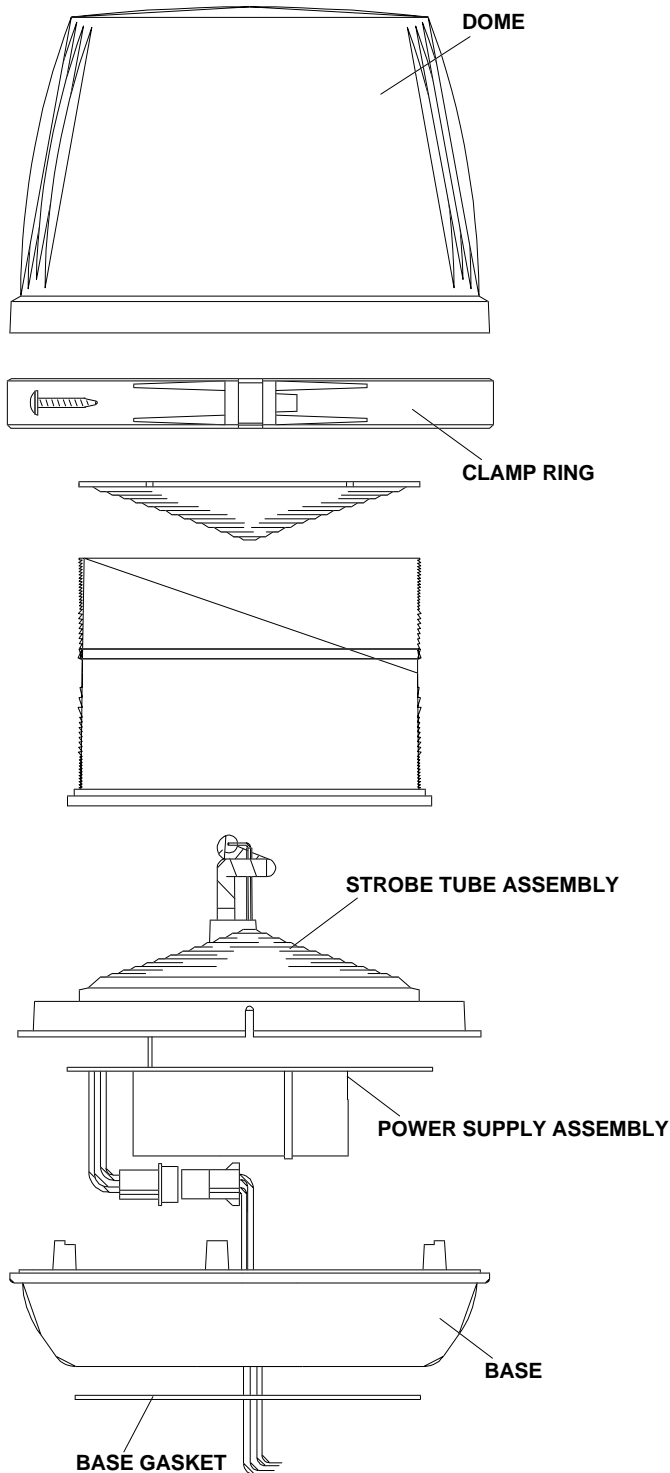


Route 145, Winthrop Road
Chester, CT 06412-0684
TELEPHONE: (860) 526-9504
TOLL FREE: 1-800-637-4736
FACSIMILE: (860) 526-4784

ISB SERIES STROBE LIGHT BEACONS

ISB24, 12/24 VOLTS DC, COMET FLASH
ISB120, 120 VOLTS AC, COMET FLASH



SEE OTHER SIDE
OF PAGE FOR
REPLACEMENT
PARTS LISTING.

WARNING...
DISCONNECT THE
POWER SOURCE AND
WAIT 10 MINUTES
BEFORE INSTALLING
OR SERVICING THE
STROBE LIGHT.

REPLACEMENT PARTS LISTING FOR ISB SERIES STROBES

ITEM	DESCRIPTION	QTY.	PART NUMBER	ISB24	ISB120
1	OPTIC DOME, AMBER	1	68-2180347-10	■	■
	OPTIC DOME, BLUE	1	68-2180347-20	■	■
	OPTIC DOME, CLEAR	1	68-2180347-30	■	■
	OPTIC DOME, GREEN	1	68-2180347-40	■	■
	OPTIC DOME, RED	1	68-2180347-50	■	■
2	STROBE TUBE ASSEMBLY	1	01-0468256-00	■	■
3	STROBE POWER SUPPLY, 120 VAC	1	02-0167154-00		■
	STROBE POWER SUPPLY, 12/24 VDC	1	01-0267042-00	■	
4	FUSE, 10 AMP, AUTO	1	32-0632010012	■	

MOUNTING INSTRUCTIONS

PERMANENT MOUNT

The ISB Series must be disassembled to drill mounting holes for permanent mounting.

1. Remove the clamp ring, remove the optic dome and disassemble the strobe as shown in the drawing.
2. Locate the three dimples in the base casting and drill three mounting holes. Drill and deburr a hole for the power wires.
3. Place the base gasket between the base and mounting surface. Route the strobe power wires through the gasket and the mounting hole. Mount the base with three screws.
4. Connect the power wires to the power source.
5. Re-assemble the strobe. Make sure that the wires are not pinched.

WIRING INSTRUCTIONS

MODEL ISB24

1. Connect the RED wire to the positive DC voltage (+).
2. Connect the BLACK wire to DC ground (-).

MODEL ISB120

1. Connect the GREEN wire to the AC service green wire (ground).
2. Connect the BLACK wire to the AC service black wire (hot).
3. Connect the WHITE wire to the AC service white wire (neutral).

PIPE MOUNT

The ISB Series may be mounted to a 1" NPT pipe.

1. Feed the power source cable through the pipe and connect the cable to the ISB Series strobe.
2. Screw the strobe to the pipe threads. Make sure that the wires are not pinched or severely twisted.

WARNING - THE STROBE POWER SUPPLY IS A HIGH VOLTAGE DEVICE. DO NOT REMOVE TUBES OR DISMANTLE STROBE LIGHT ASSEMBLY WHILE IN OPERATION. WAIT 10 MINUTES AFTER TURNING OFF POWER BEFORE WORKING ON THE STROBE.