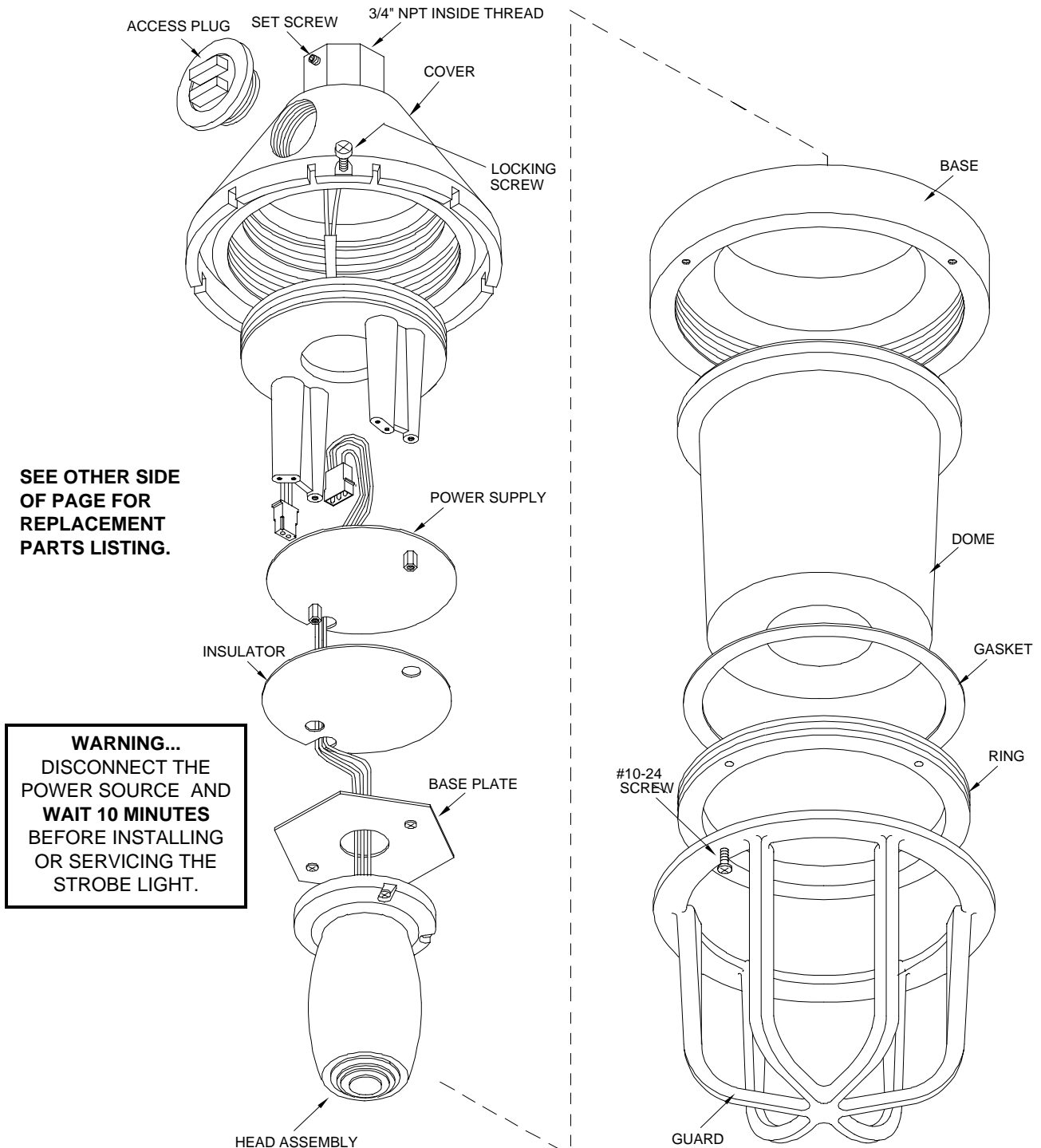


Route 145, Winthrop Road
Chester, Ct 06412-0684
TELEPHONE: (860) 526-9504
TOLL FREE: 1-800-637-4736
FACSIMILE: (860) 526-4784

WSHX SERIES STROBE LIGHTS

WSHX012, 12 VOLTS DC
WSHX024, 24 VOLTS DC
WSHX120, 120 VOLTS AC



REPLACEMENT PARTS LISTING FOR WSHX SERIES STROBES

DESCRIPTION	QTY.	PART NUMBER	WSHX012	WSHX024	WSHX120
FLASHTUBE ASSEMBLY, 12 VDC	1	01-0422071-00	■		
FLASHTUBE ASSEMBLY, 24 VDC	1	01-0422071-00		■	
FLASHTUBE ASSEMBLY, 120 VAC	1	01-0422071-00			■
POWER SUPPLY, 12 VDC	1	01-0267125-00	■		
POWER SUPPLY, 24 VDC	1	01-0267125-00		■	
POWER SUPPLY, 120 VAC	1	01-0267128-00			■

MOUNTING & WIRING INSTRUCTIONS

The WSHX Series of Strobe Lights are designed for mounting to a pendant with a 3/4" NPT thread.

1. Feed the power source cable through the pipe.
2. Remove the Access Plug from the Cover of the WSHX Strobe Light.
3. Screw the WSHX Strobe Light to the pipe threads. Make sure that the power wires are not pinched or severely twisted. Tighten the Set Screw.
4. Working through the access hole. Wire the beacon according to the Model type.

MODELS WSHX012 and WSHX024

1. Connect the WHITE wire to the positive DC voltage (+).
2. Connect the BLACK wire to the DC ground (-).

MODEL WSHX120

1. Connect the GREEN wire to the AC service green wire (ground).
 2. Connect the BLACK wire to the AC service black wire (hot).
 3. Connect the WHITE wire to the AC service white wire (neutral).
5. Securely install the access plug when wiring is complete.

Note: All internal threads must remain coated with the antiseize compound, as manufactured. Do not wipe the compound off of the threads, during installation or service.

FLASHTUBE REPLACEMENT

1. Disconnect power and wait 10 minutes.
2. Remove the Locking Screw from the Cover.
3. Place a flat bladed screwdriver into one of the slots in the Cover and gently pry the Base loose. Grip the unit by the Guard and unscrew the Base assembly.
4. Remove 3 screws from the Head Assembly. Remove the Head Assembly and set it aside. Disconnect the 3 position plug from the Power Supply. Remove 2 screws from the Base Plate. Replace the old flashtube assembly. Save all gaskets and re-use them.
5. Re-assemble the strobe light by reversing the steps. Be sure to reinsert the Locking Screw.

POWER SUPPLY REPLACEMENT

1. Disconnect power and wait 10 minutes.
2. Remove the Locking Screw from the Cover.
3. Place a flat bladed screwdriver into one of the slots in the Cover and gently pry the Base loose. Grip the unit by the Guard and unscrew the Base assembly.
4. Remove 3 screws from the Head Assembly. Remove the Head Assembly and set it aside. Disconnect the 3 position plug from the Power Supply. Remove 2 screws from the Base Plate. Remove the assembly and the insulator. Save all gaskets and re-use them.
5. Disconnect the 2 position plug from the Power Supply. Remove 2 Hex Standoffs. Replace the Power Supply.
6. Re-assemble the strobe light by reversing the steps. Be sure to reinsert the Locking Screw.