

WHELEN[®]

ENGINEERING COMPANY INC.

*Route 145, Winthrop Road,
Chester, Connecticut 06412*

Phone: (800) 63SIREN

Phone: (860) 526-9504

Fax: (860) 526-4078

Internet: www.whelen.com

Sales e-mail: iowsales@whelen.com

Customer Service e-mail: iowserv@whelen.com

WPS-2800 SERIES HIGH POWER VOICE & SIREN SYSTEM

INSTALLATION MANUAL

Outdoor Warning

Table Of Contents

Important Note To Installation Technicians	page 5
Section I : Site Selection.....	page 6
Section II: Utility Pole Preparation	
a) Pole Selection.....	page 7
b) Component Dimensions	page 7
Section III: Equipment Mounting	
a) Pole Top Mounting Bracket	page 12
b) Electronic Cabinet Mounting	page 14
c) Siren Assembly Mounting (5 or less speaker cells).....	page 16
d) Siren Assembly Mounting (6 or more speaker cells).....	page 17
e) Antenna Mounting (optional)	page 19
f) Solar Panel Mounting (optional).....	page 20
g) Determining Solar Panel Mounting Angle	page 23
Section IV: Wiring	
a) Siren Connections	page 24
b) AC Wiring	page 26
c) Batteries	page 28
d) Landline.....	page 31
Section V: System Test	page 32

Illustrations

Fig. 1 Station Drawing	page 3
Fig. 2 Station Drawing (with optional Solar Panel)	page 4
Fig. 3 Pole Top Mounting Bracket Dimensions	page 8
Fig. 4 Type II Electronic Cabinet Dimensions	page 9
Fig. 5 Type III Electronic Cabinet Dimensions	page 10
Fig. 6 Antenna Mounting Bracket Dimensions	page 11
Fig. 7 Pole Top Mounting Bracket.....	page 13
Fig. 8 Electronic Cabinet Mounting (Side View).....	page 14
Fig. 9 Siren to Pole Top Mounting Bracket (Side View).....	page 18
Fig. 10 Antenna Mounting Orientation.....	page 19
Fig. 11 Solar Panel Wiring Connections.....	page 21
Fig. 12 Solar Panel Mounting Views.....	page 22
Fig. 13 Siren Amplifier Connections	page 25
Fig. 14 AC Outlet Installation	page 27
Fig. 15 Battery Connections (Type II Cabinet).....	page 29
Fig. 16 Battery Connections (Type III Cabinet)	page 30
Fig. 17 Landline Wiring.....	page 31
Fig. 18 System LED Indicators	page 33
Fig. 19 Electronic Cabinet Front Panel	page 34

Fig. 1: Sample Station Drawing (AC Powered Battery Charger)

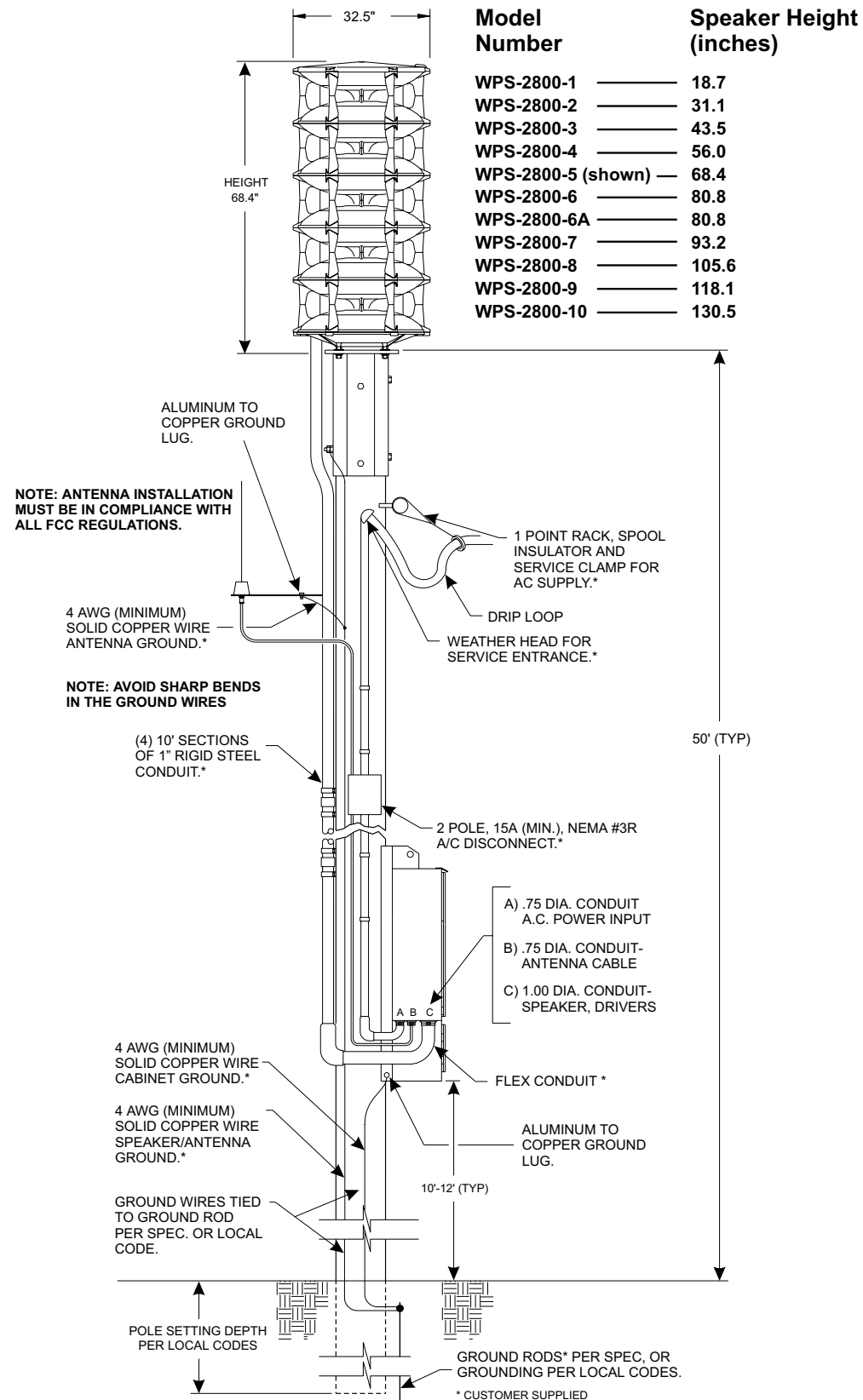
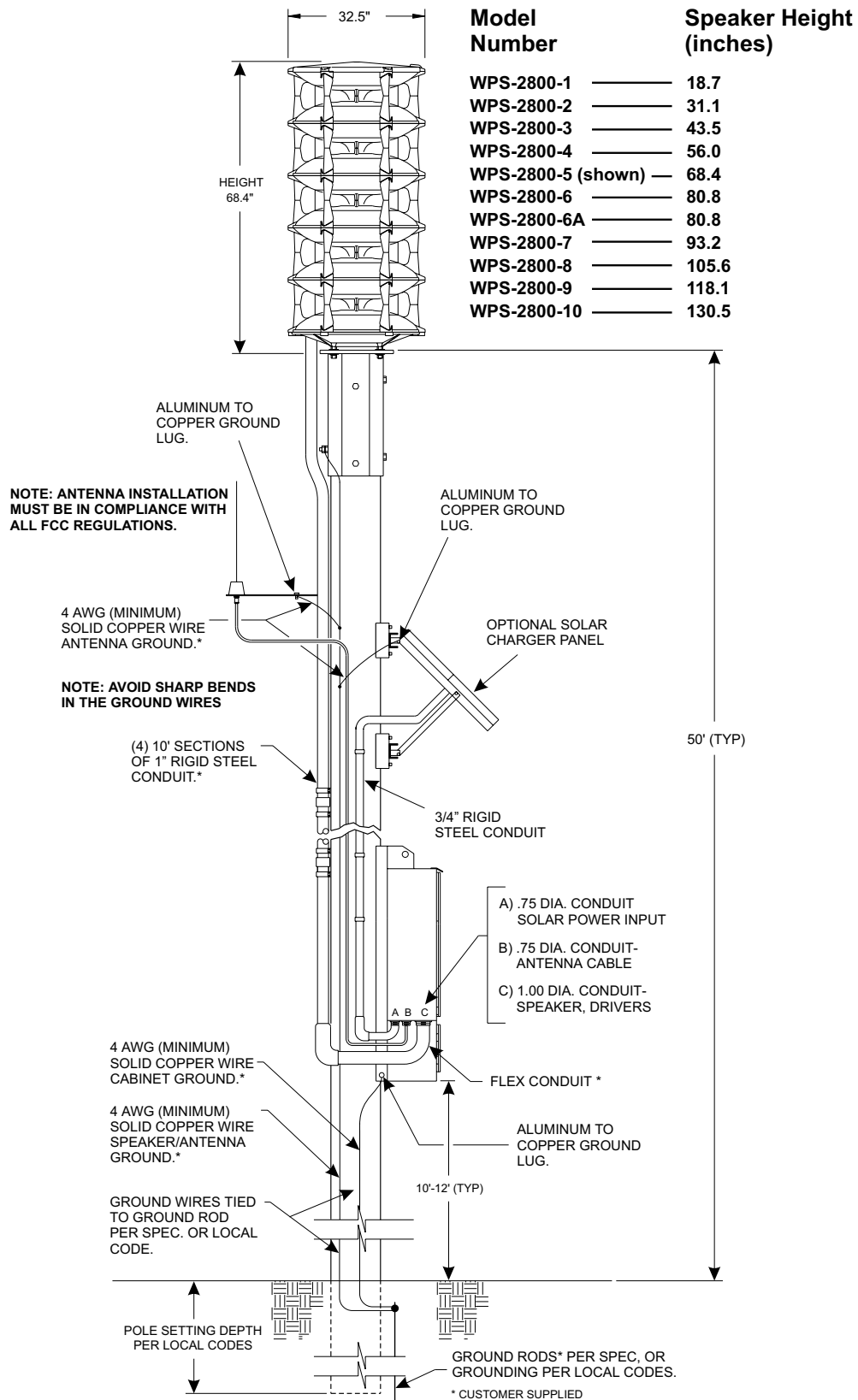


Fig. 2: Sample Station Drawing (Optional Solar Powered Battery Charger)



An Important Note to the Installation Technicians...

The installation of this product requires careful planning and attention to detail! The installation of this system should NOT be attempted by individuals without experience in the disciplines necessary to this procedure (i.e. High-voltage electrical wiring, utility pole installation, etc.).

The installation of the WPS-2800 station provided in this manual follows a logical progression. This process is not arbitrary and was developed using information gathered from both the manufacturer and experienced field technicians. Deviations from any of these procedures are not recommended unless they are in contradiction with local codes. **IN ALL INSTANCES, LOCAL CODES TAKE PRECEDENT OVER PROCEDURES OUTLINED HEREIN.**

It is the responsibility of the installation technicians to read this entire manual. The installation procedure should not begin until all personnel are familiar with the entire process. The overall process includes the following:

Installation sequence for 5 or less cells

1. Site Selection
2. Utility Pole Preparation
3. Mount Pole Top Bracket and Ground Wire
4. Mount Electronic Cabinet to Pole
5. Mount Siren Assembly to Pole Top Bracket and Conduit to Pole
6. Set Utility Pole
7. Prepare and Mount Antenna Assembly (if present)
8. Prepare and Mount Solar Panels and Conduit (if present)
9. Installation of AC or Solar Service and Batteries
10. Confirm Proper System Operation

Installation sequence for 6 or more cells

1. Site Selection
2. Utility Pole Preparation
3. Mount Pole Top Bracket and Ground Wire
4. Mount Electronic Cabinet to Pole
5. Set Utility Pole
6. Mount Siren Assembly to Pole Top Bracket and Conduit to Pole
7. Prepare and Mount Antenna Assembly (if present)
8. Prepare and Mount Solar Panels and Conduit (if present)
9. Installation of AC or Solar Service and Batteries
10. Confirm Proper System Operation

Section I: Site Selection

The site selection for the WPS-2800 requires careful consideration in order to achieve the optimum coverage of the siren station. For a guideline to system planning, sound propagation and site selection we direct the user to the Federal Emergency Management Agency's "Outdoor Warning Systems Guide, CPG 1-17."

The Location of the siren site should be reviewed for its compatibility with its surroundings such as private homes, schools and hospitals. The user is cautioned to consider the use of hearing protection devices for service personnel working in close proximity to the speaker cluster.

Access to the siren site is important from the standpoint of service, maintenance inspection and access to a utility service connect.

Site locations for radio controlled units should be reviewed for radio reception.

Section II: Utility Pole Preparation...

a) Pole Selection

NOTE: This installation manual will address the procedures applicable to wooden utility poles of specific size and dimensions. Procedures for poles consisting of other materials (steel, concrete, etc.) are not addressed within this document. The information presented, however, provides the necessary data and guidelines for a successful installation regardless of pole material.

A WPS-2800 system consisting of 5 or less speaker cells may use a Class 2 or Class 1 utility pole. For systems consisting of 6 or more speaker cells, a Class 1 utility pole must be used. The length of the utility pole is consistent regardless of speaker cell quantity. The total length of the pole referenced within this document is 60 feet. The pole depth of the set pole is 10 feet, leaving a 50 foot pole as measured from the top of the pole to the ground. The utility pole should be set in accordance with local codes.

The inside area of the pole top mounting bracket will accept a pole that is no greater than 10.00" in diameter. On large scale projects, it is beneficial to order the pole to be "gained" to a top diameter of 9.5" +/- .50" for the top 30" section of the utility pole.

b) Component Dimensions

The utility pole may be pre-drilled prior to installation. The dimensions for all potentially mounted equipment are as follows:

Fig. 3: Pole Top Mounting Bracket Dimensions

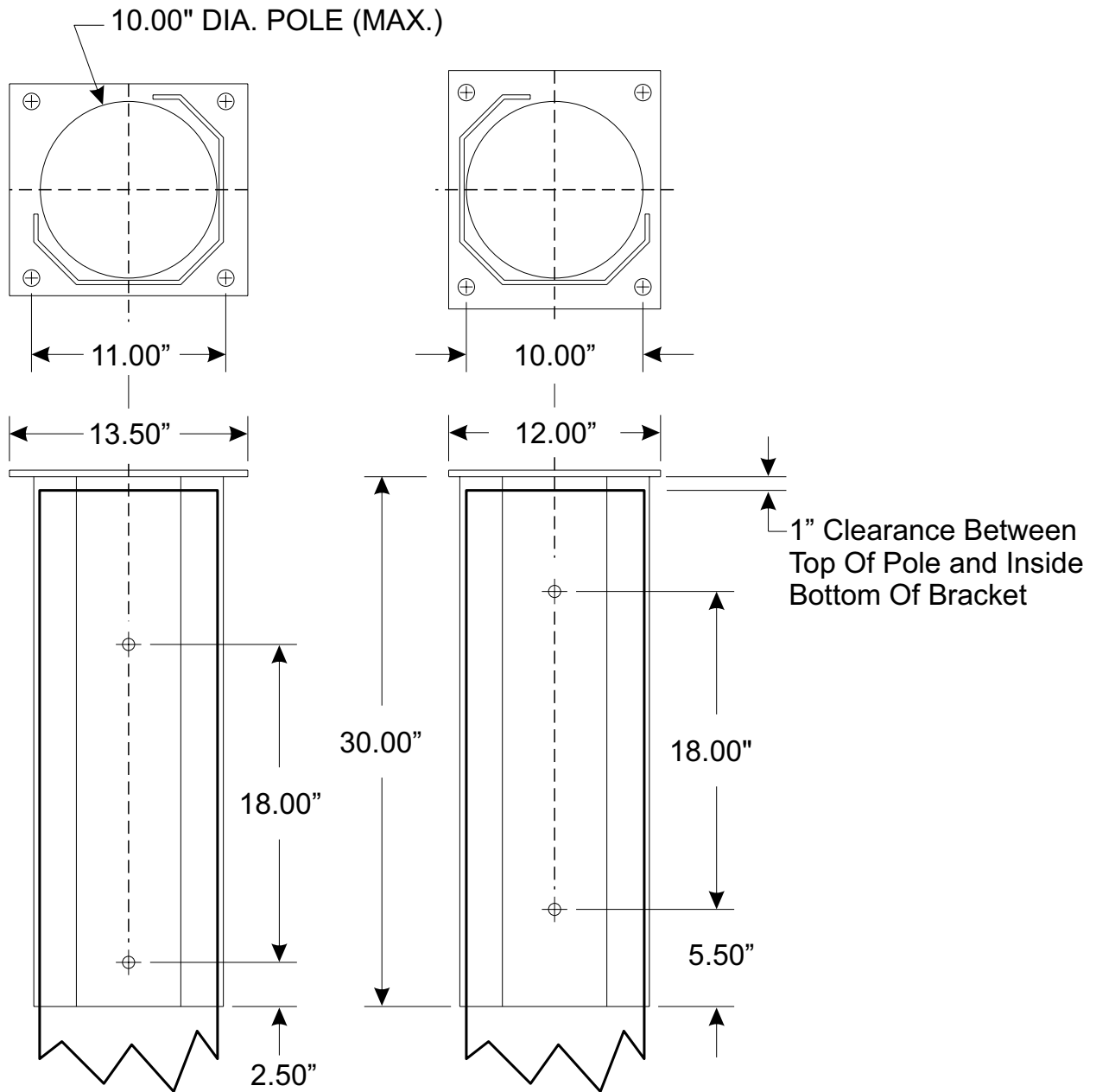


Fig. 4: Type II Electronic Cabinet Dimensions

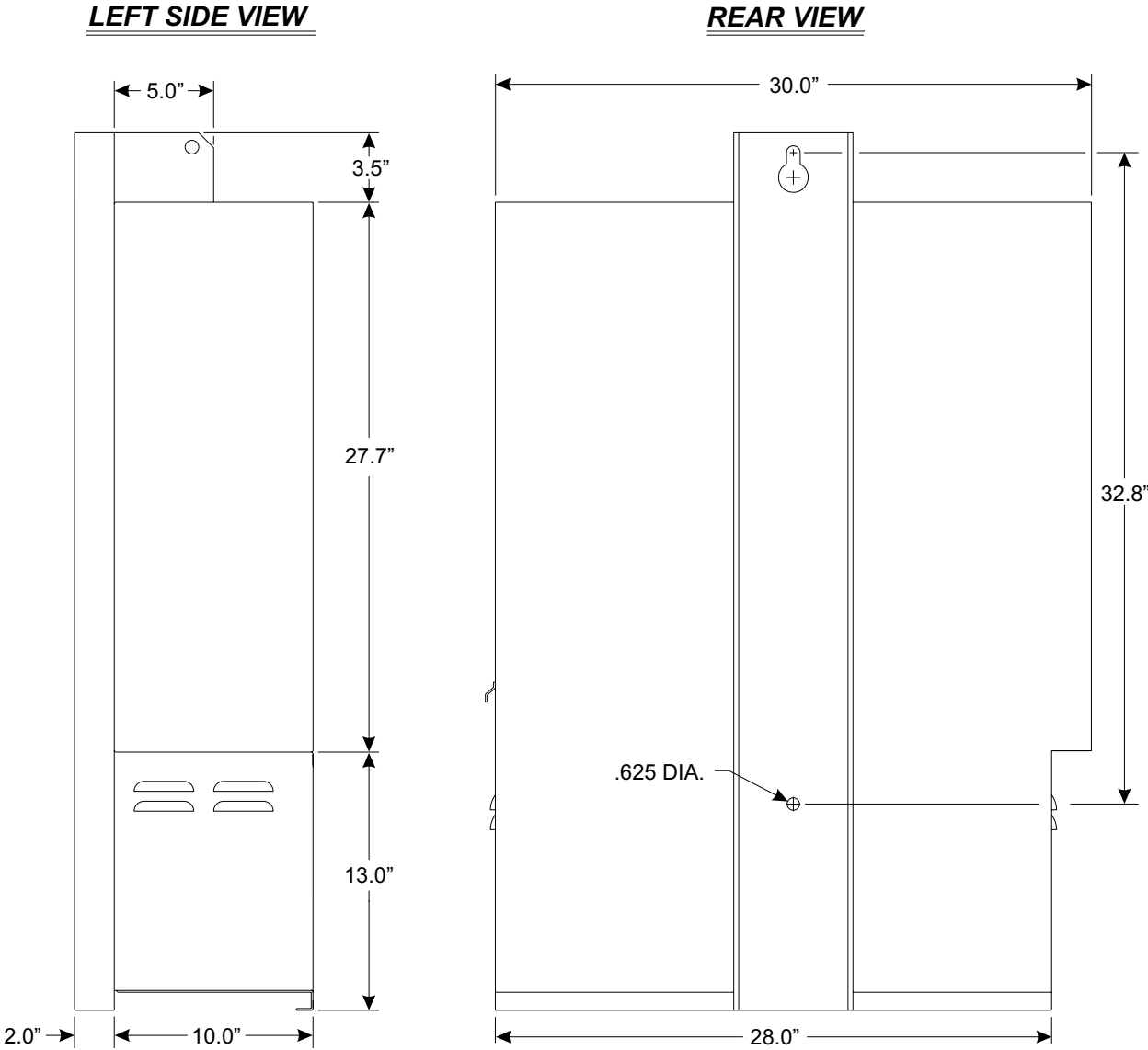


Fig. 5: Type III Electronic Cabinet Dimensions

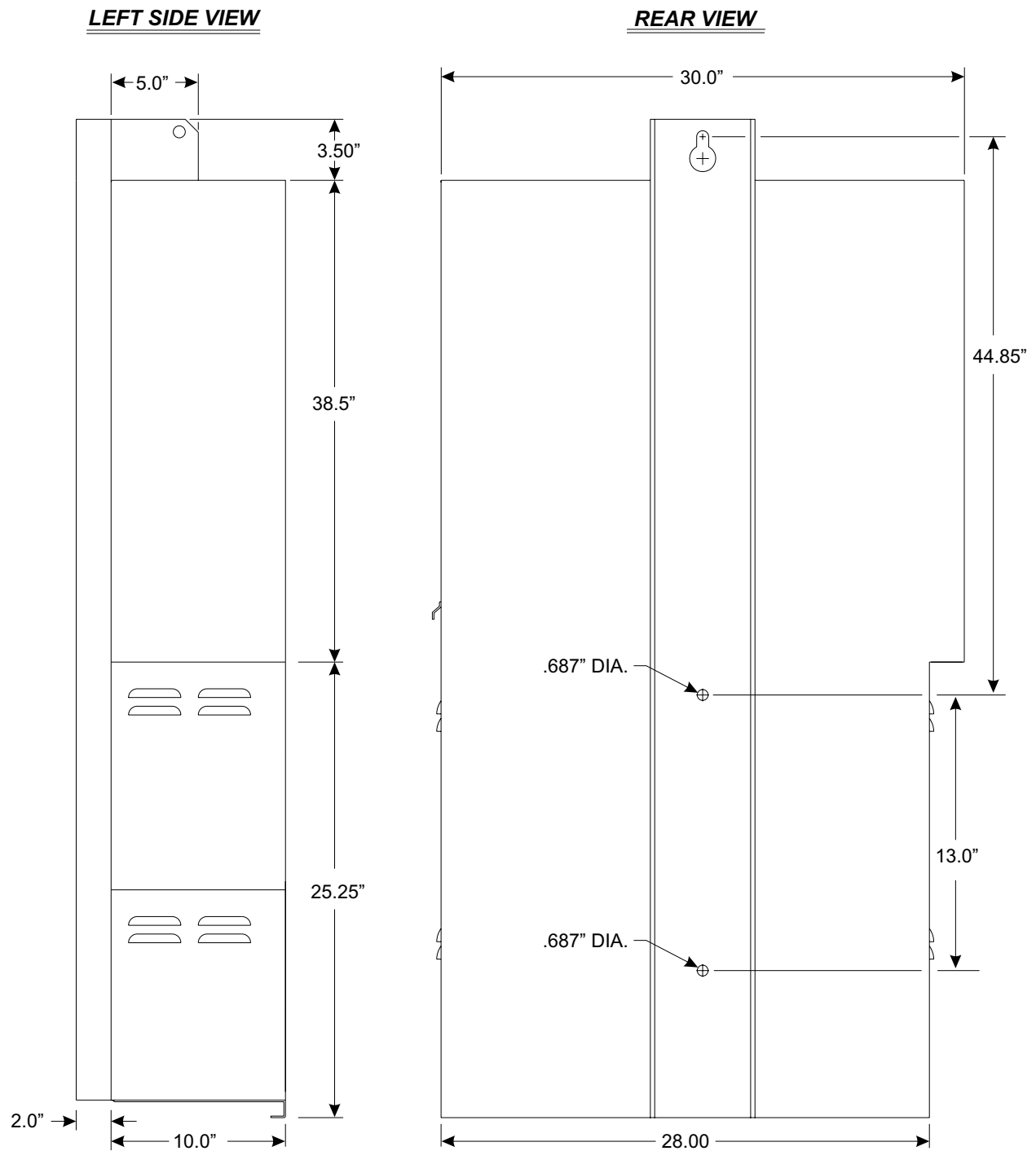
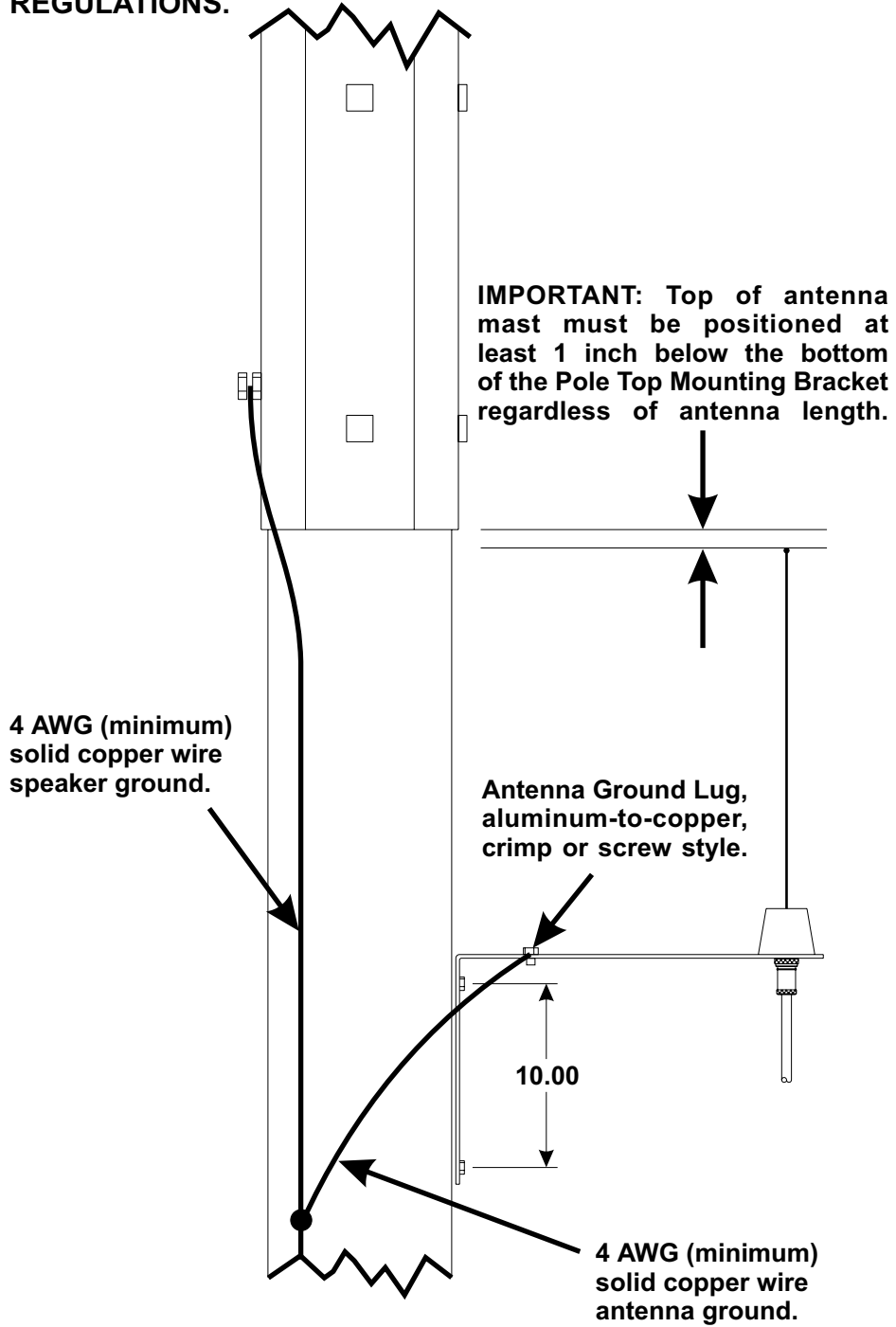


Fig. 6: Antenna Mounting Bracket Dimensions

NOTE: Antenna installation must be in compliance with all FCC REGULATIONS.



Section III: Equipment Mounting

a) Pole Top Bracket Installation...

Items Required for installation (not included)....

- (4) 5/8" x 14" Hex or Square head mounting bolts**
- (4) 5/8" Hex or Square head nuts**
- (8) 5/8" Flat Washer sized for the above referenced mounting bolt**
- (4) 5/8" Lock Washer**

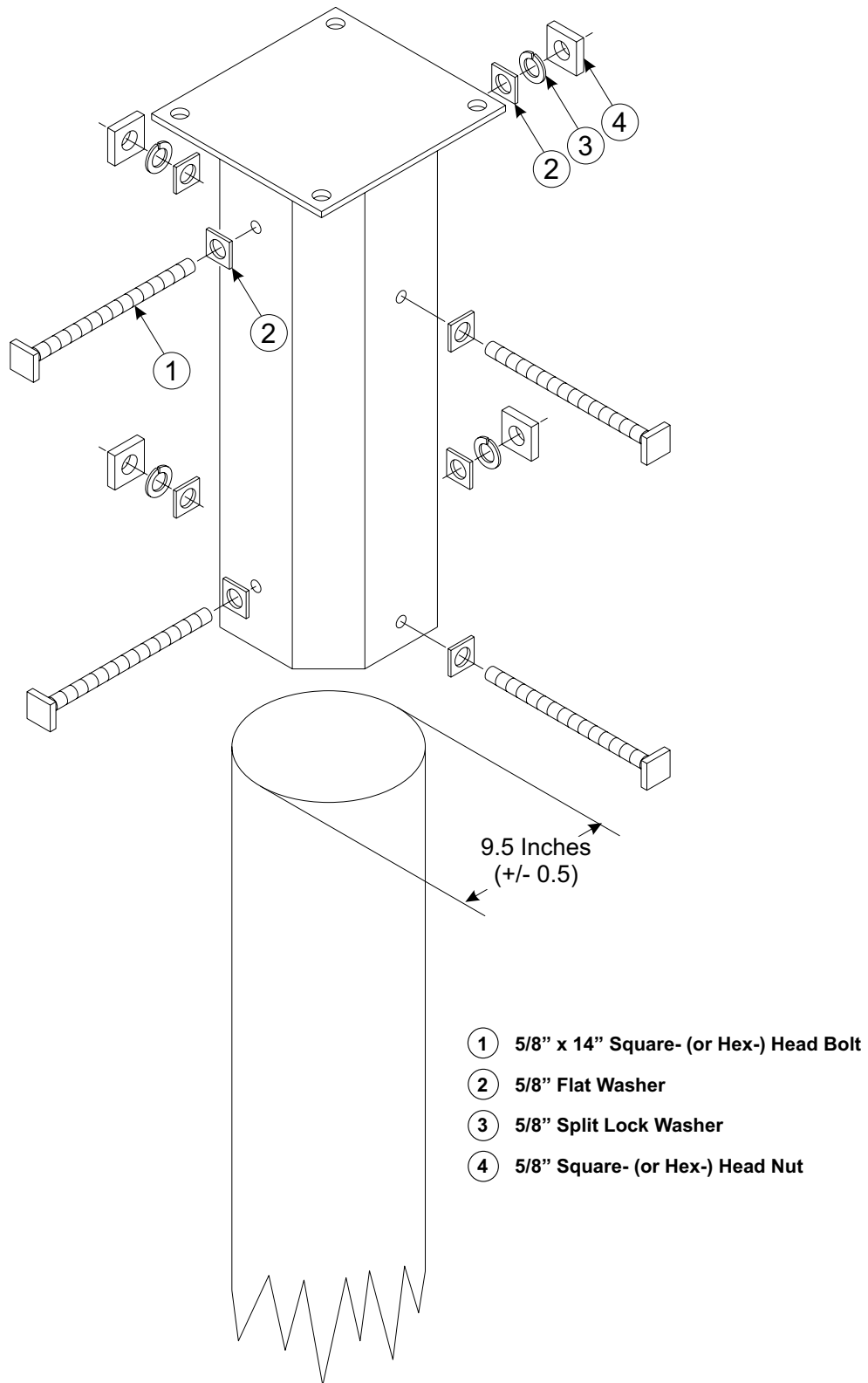
- 1. Position the WPS-2800 pole top mounting bracket onto the top of the pole (see "Fig. 7: Pole Top Mounting Bracket" on page 13). Make sure there is a 1 inch space between the top of the pole and the pole top mounting bracket(see "Fig. 8: Electronic Cabinet Mounting (Side View)" on page 14).**

NOTE: The inside area of the pole top mounting bracket will accept a pole that is no greater than 10.00" in diameter. On large scale projects, it is beneficial to order the pole to be "gained" to a top diameter of 9.5" +/- .50" for the top 30" section of the utility pole.

- 2. Using the pole top mounting bracket as a guide, drill four mounting holes through the pole at the bracket mounting hole locations. These holes should be sized to accommodate the above referenced hardware.**
- 3. Secure the bracket to the pole using the prescribed hardware (see "Fig. 7: Pole Top Mounting Bracket" on page 13). Be sure to position all the associated hardware items in their proper order.**
- 4. Secure a length of #4 solid copper wire to the pole top bracket grounding lug using the supplied nut. Make sure that this wire is of sufficient length to reach the ground when the pole has been set.**

NOTE: All Hardware used for connecting equipment to the utility pole should be inspected for tightness between 12 to 18 months after installation. Some shrinkage of the newly treated utility pole may occur, loosening connections.

Fig. 7: Pole Top Mounting Bracket



b) Electronic Cabinet Mounting and Siren Connections...

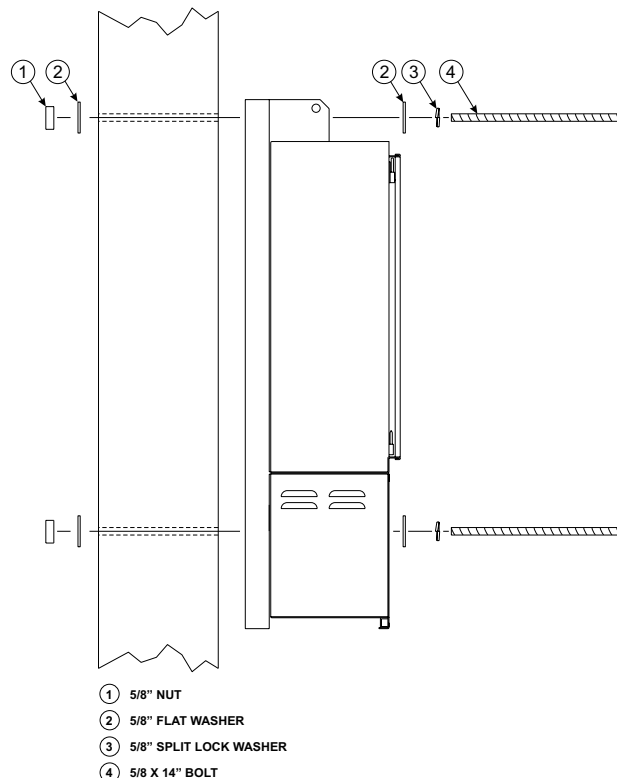
Mounting

Items Required for installation (not included)....

For Type II & III cabinets

<u>Qty.</u> <u>(Type II)</u>	<u>Qty.</u> <u>(Type III)</u>	<u>Description</u>
(2)	(3)	5/8" x 14" Hex or Square head mounting bolts
(4)	(6)	5/8" Flat Washer sized for the above mounting bolt
(2)	(3)	5/8" Split-Lock Washer
(2)	(3)	5/8" Hex or Square head nuts
(1)	(1)	Aluminum-to-Copper lug sized for #4 ground wire (crimp or screw style)
(1)	(1)	Stainless Steel 1/4-20 x 2" bolt with appropriately sized flat washer, split-lock washer and nut
(1)	(1)	10' Copper ground rod

Fig. 8: Electronic Cabinet Mounting (Side View)



The WPS-2800 siren case assembly may be installed onto the pole and wired before setting the pole.

NOTE: Note: Due to the weight of the siren amplifier panel, the electronic cabinet assembly must be transported in an upright fashion to prevent distortion of the amplifier panel.

1. It is necessary for the installer to remember that two factors should determine the optimum mounting location; the desired distance of the mounted cabinet to the ground (typically 10 to 12 feet as measured from the bottom of the cabinet) and available speaker wire length (speaker assemblies are provided with a minimum of 50 feet of speaker wire as measured from the bottom of the speaker assembly).
2. After the mounting location has been determined, drill an appropriately sized thru-hole into the pole at the top cabinet mounting hole. Install a bolt loosely into the hole and hang the cabinet onto the bolt.
3. With the cabinet fitted snugly to the pole, mark the surface of the pole at the lower mounting hole location inside the battery storage compartment. Type III cabinets will have an additional mounting hole located in the second battery storage compartment (see “Fig. 5: Type III Electronic Cabinet Dimensions” on page 10). Remove the cabinet from the pole and drill an appropriately sized thru-hole into the pole at the location(s) marked. Return the cabinet to its mounting location and secure to the pole using the specified hardware.
4. Install an aluminum-to-copper lug (crimp or screw style) onto the #4 solid copper wire. Secure this to the cabinet mounting channel in hole supplied using stainless steel 1/4 - 20 hardware.
5. Install the ground rod as specified by local codes and connect both copper wires (from pole top mounting bracket and electronic cabinet) to this rod.
6. Install rigid steel conduit and necessary couplings from the speaker’s 1” conduit adapter to the 1” speaker conduit protruding from the base of the siren case assembly. The first section of conduit may be installed onto the speaker’s base casting prior to mounting the speaker to the pole top bracket. At the option of the user, conduit unions may be used between the first section of conduit and the speaker base casting and at the speaker cable conduit entrance to the siren case assembly.

NOTE: If the location of the conduit on the pole requires difficult conduit bends or couplings, a section of metal bonded seal tight conduit **NOT TO EXCEED 24 INCHES** may be used at the top of the pole and/or at the bottom of the pole as needed for the speaker cable installation.

Batteries for the system should not be installed until the siren station is set in place, otherwise some leakage of the battery fluid may occur. Batteries should not be connected to the system until AC power (or solar power if equipped) is available to the system to operate the system’s battery charger.

IMPORTANT! Before proceeding with the speaker installation, it is necessary for the installer to know the number of speaker cells to be installed on the utility pole. If the speaker assembly to be installed consists of 5 (five) or less speaker cells, the speaker assembly may, at the installers discretion, be mounted onto the utility pole before the pole has been set. Siren assemblies consisting of 6 (six) or more speaker cells require the utility pole to be set prior to mounting. These larger assemblies also require a special mounting procedure that must be followed to avoid damaging the assembly. Both procedures are outlined in the following sections.

c) Siren Assembly Mounting (5 or less speaker cells)...

Hardware required for installation (factory included)....

- (8) 20mm hex head nuts**
- (8) 7/8" Flat Washers**
- (4) 3/4" Split Lock Washers**

- 1. Sling or cradle the utility pole in a safe manner so that the pole top is 3 to 4 feet off the ground. This will allow the speaker assembly to clear the ground when installed.**
- 2. Locate the 4 mounting studs on the bottom of the speaker assembly (see "Fig. 9: Siren to Pole Top Mounting Bracket (Side View)" on page 18).**
- 3. Thread a 20mm hex nut onto each of the mounting studs until there is approximately 1" of space between the top of the nuts and the bottom of the siren assembly. This space will allow the speaker assembly to be leveled once the pole has been set.**
- 4. Install a 7/8" flat washer onto each of the mounting studs.**
- 5. Insert the four mounting studs through the mounting holes on the top of the pole top bracket. The bottom of the siren assembly should lie flat against the pole top bracket.**
- 6. Install a 7/8" flat washer onto each of the mounting studs.**
- 7. Install a 3/4" split lock-washer onto each of the mounting studs.**
- 8. Thread a 20mm hex nut onto each of the mounting studs. Tighten this nut firmly to secure the siren assembly to the pole top bracket.**

At this point the pole should now be set. However, the installer may use their own discretion as to whether to mount the electronic cabinet onto the utility pole before the pole is set.

When the pole has been set, use the adjustment nuts (indicated in step 2) to adjust the siren assembly until it is level.

d) Siren Assembly Mounting (6 or more speaker cells)...

Hardware required for installation (factory included)....

- (8) 20mm hex head nuts**
- (8) 7/8" Flat Washers**
- (4) 3/4" Split Lock Washers**

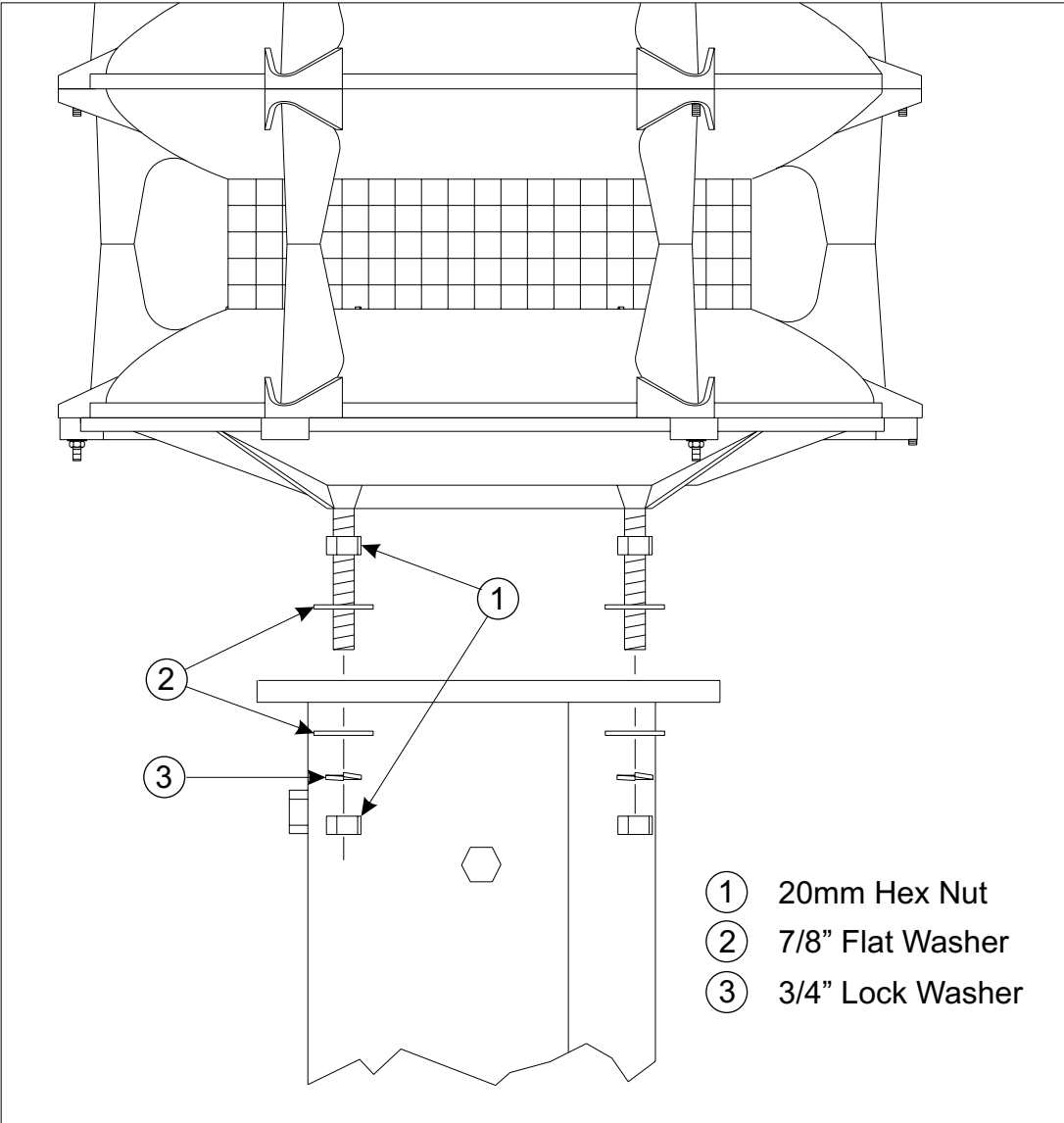
Items required (not included)

Crane, Bucket Truck or similar lifting device
Straps

The larger siren assemblies (6 or more speaker cells) may only be mounted onto the pole top bracket after the pole has been set. Due to their increased mass and size, these assemblies *must* be properly supported from the bottom of the assembly while being lifted into position. DO NOT ATTEMPT TO LIFT THE SIREN ASSEMBLY FROM THE TOP!

- 1. Locate the 4 mounting studs on the bottom of the speaker assembly (see "Fig. 9: Siren to Pole Top Mounting Bracket (Side View)" on page 18).**
- 2. Thread a 20mm hex nut onto each of the mounting studs until there is approximately 1" of space between the top of the nuts and the bottom of the siren assembly. This space will allow the speaker assembly to be leveled once the pole has been set.**
- 3. Install a 7/8" flat washer onto each of the mounting studs.**
- 4. Insert the four mounting studs through the mounting holes on the top of the pole top bracket. The bottom of the siren assembly should lie flat against the pole top bracket.**
- 5. Install a 7/8" flat washer onto each of the mounting studs.**
- 6. Install a 3/4" split lock-washer onto each of the mounting studs.**
- 7. Thread a 20mm hex nut onto each of the mounting studs. Tighten this nut firmly to secure the siren assembly to the pole top bracket.**
- 8. Use the adjustment nuts (indicated in step 2) to adjust the siren assembly until it is level.**

Fig. 9: Siren to Pole Top Mounting Bracket (Side View)



e) Antenna Mounting (optional)...

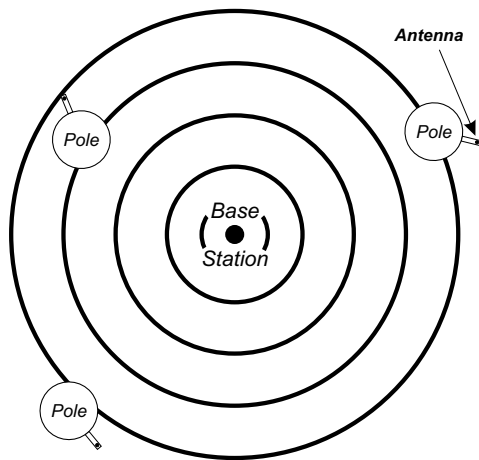
NOTE: Antenna installation must be in compliance with all FCC regulations.

The proper antenna bracket mounting location is determined by several considerations. The antenna bracket should be positioned as high on the utility pole as is possible. However, under no circumstances should the top of the installed antenna must be any closer than one inch from the bottom of the Pole Top Mounting Bracket (see “Fig. 6: Antenna Mounting Bracket Dimensions” on page 11). Be sure to ground the antenna bracket as shown using 4 AWG solid copper wire. The antenna cable provided by the factory is 35 feet in length.

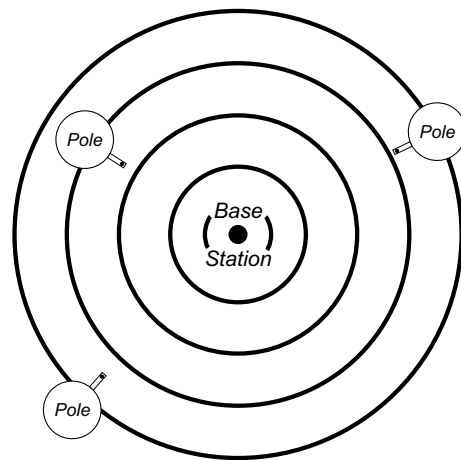
It is also important to remember that the antenna **MUST** be mounted on the side of the utility pole that faces the transmitter (see below)

Fig. 10: Antenna Mounting Orientation

Improper Antenna Orientation



Correct Antenna Orientation



Refer to the installation sheet included with your antenna kit for further information regarding cable connections and antenna trimming.

f) Solar Panel Mounting (optional)...

The solar panel must be installed so that it is directly facing the earth's equator with an unobstructed view. Failure to orient the solar panel in this way will result in significantly reduced charging effectiveness.

The most critical aspect of properly mounting the solar panel involves achieving the optimum tilt angle. The tilt angle is determined by the distance between the upper and lower mounting brackets, as shown.

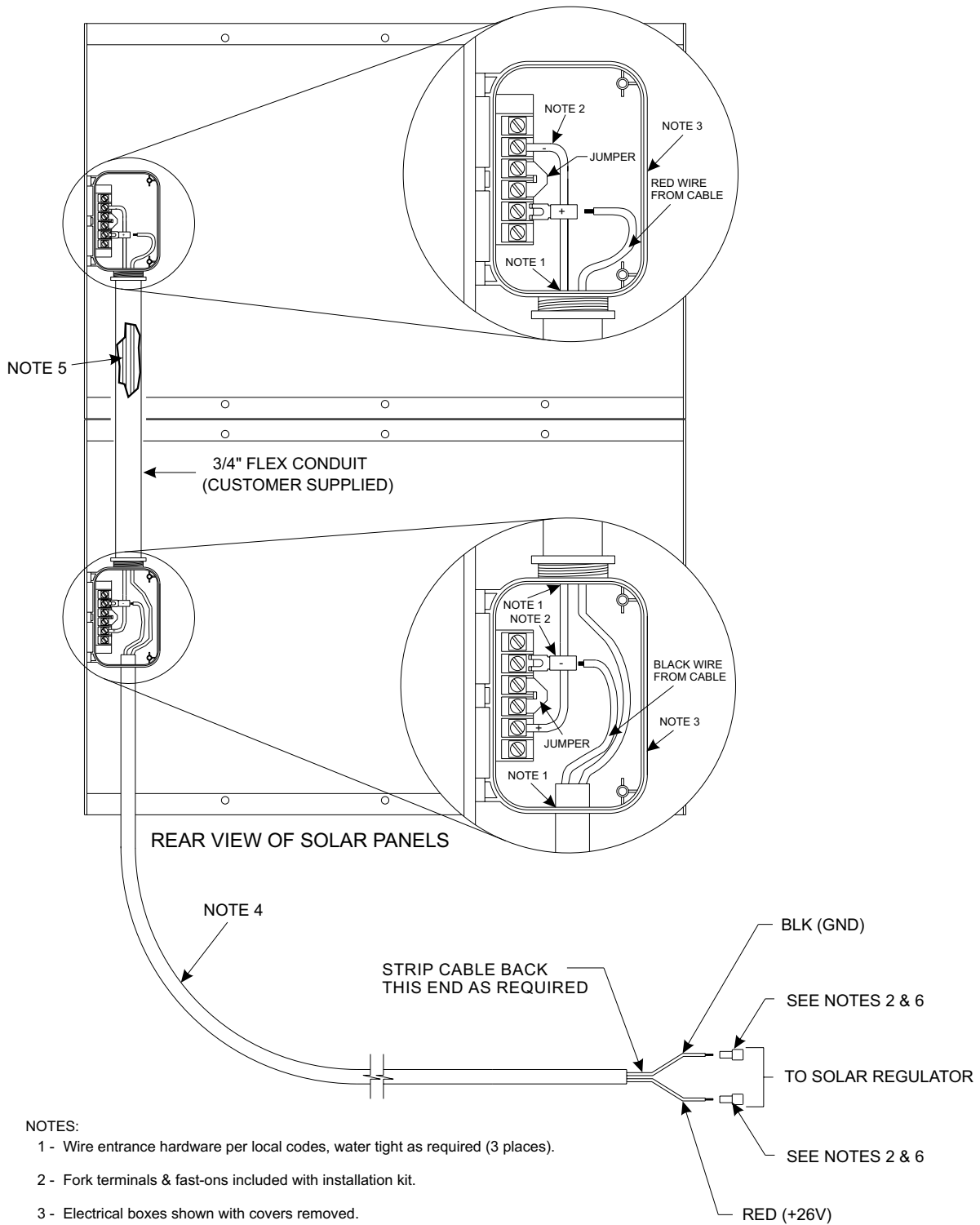
Refer to page 21 for electrical connection information.

Refer to page 22 for general solar panel mounting.

Refer to page 23 for information on determining your specific mounting angle.

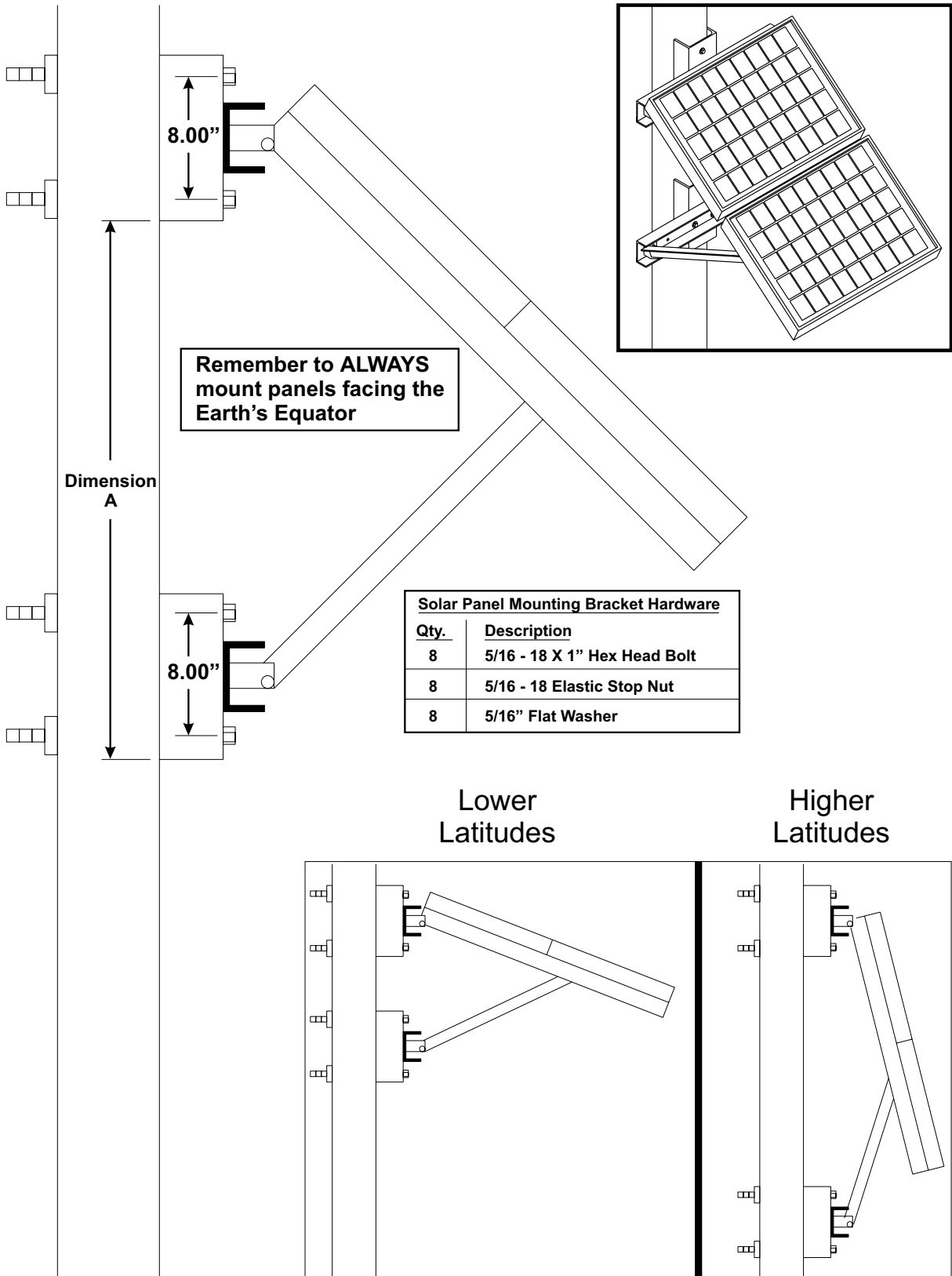
Run rigid steel conduit from the solar panel to the 3/4" AC knockout located at the bottom of the siren case assembly. A section of up to 24 inches of metal bonded seal tight conduit may be utilized where conduit connections to the solar panel or electronic cabinet are not conveniently accomplished with rigid steel conduit and fittings. This conduit should be sealed to prevent insects and pests from entering the siren case assembly.

Fig. 11: Solar Panel Wiring Connections



- NOTES:
- 1 - Wire entrance hardware per local codes, water tight as required (3 places).
 - 2 - Fork terminals & fast-ons included with installation kit.
 - 3 - Electrical boxes shown with covers removed.
 - 4 - Cable to be stripped back 26" at solar panel end.
 - 5 - Supplied by Whelen, included with installation kit.
 - 6 - Install fast-ons to the solar regulator end of the cable only after the proper length of cable has been achieved, leaving at least a 6' service loop.

Fig. 12: Solar Panel Mounting Views



g) Determining Solar Panel Mounting Angle

1. Determine the *LATITUDE* of your location.
2. Find your *Latitude* on the table below and not the corresponding *Tilt Angle*.

<u>LATITUDE</u>	<u>TILT ANGLE</u>
0° to 9°	75° = Tilt Angle
10° to 20°	85° minus LATITUDE = Tilt Angle
21° to 45°	80° minus LATITUDE = Tilt Angle
46° to 65°	75° minus LATITUDE = Tilt Angle
66° to 75°	10° minus LATITUDE = Tilt Angle

3. Locate your **TILT ANGLE** in the list below. For every **TILT ANGLE**, there is a corresponding “**Dimension A**”. “**Dimension A**” represents the distance from the bottom of the upper mounting bracket to the bottom of the lower mounting bracket.

example 1:

Location **LATITUDE** is 30°

80° - 30° = 50° Tilt Angle

50° Tilt Angle = 33.60” Dimension A

example 2:

Location **LATITUDE** is 7°

7° = 75° Tilt Angle

75° Tilt Angle = 15.54” Dimension A

Tilt Angle	Dimension A (inches)	Tilt Angle	Dimension A (inches)	Tilt Angle	Dimension A (inches)
10	50.49	32	43.71	54	30.93
11	50.34	33	43.24	55	30.24
12	50.16	34	42.77	56	29.54
13	49.97	35	42.28	57	28.84
14	49.77	36	41.78	58	28.13
15	49.55	37	41.26	59	27.41
16	49.32	38	40.74	60	26.69
17	49.08	39	40.20	61	25.96
18	48.82	40	39.65	62	25.23
19	48.54	41	39.10	63	24.50
20	48.25	42	38.53	64	23.76
21	47.95	43	37.95	65	23.01
22	47.63	44	37.36	66	22.27
23	47.30	45	36.75	67	21.52
24	46.95	46	36.14	68	20.77
25	46.59	47	35.52	69	20.02
26	46.22	48	34.89	70	19.27
27	45.83	49	34.25	71	18.52
28	45.43	50	33.60	72	17.77
29	45.02	51	32.95	73	17.02
30	44.60	52	32.28	74	16.28
31	44.16	53	31.61	75	15.54

Section IV: Wiring

a) Siren Connections

The type of speaker harness you receive depends on the number of speaker cells present. For systems consisting of 1 to 5 speaker cells, a 5-pair harness cable is provided. This cable has 5 BLACK wires numbered 1 to 5 and 5 RED wires numbered 1 to 5. For systems with 6 to 10 speaker cells, a 10-pair harness cable is used. This wires in this cable are designated as follows:

10 BLACK wires numbered 1 to 10

10 RED wires numbered 1 to 10

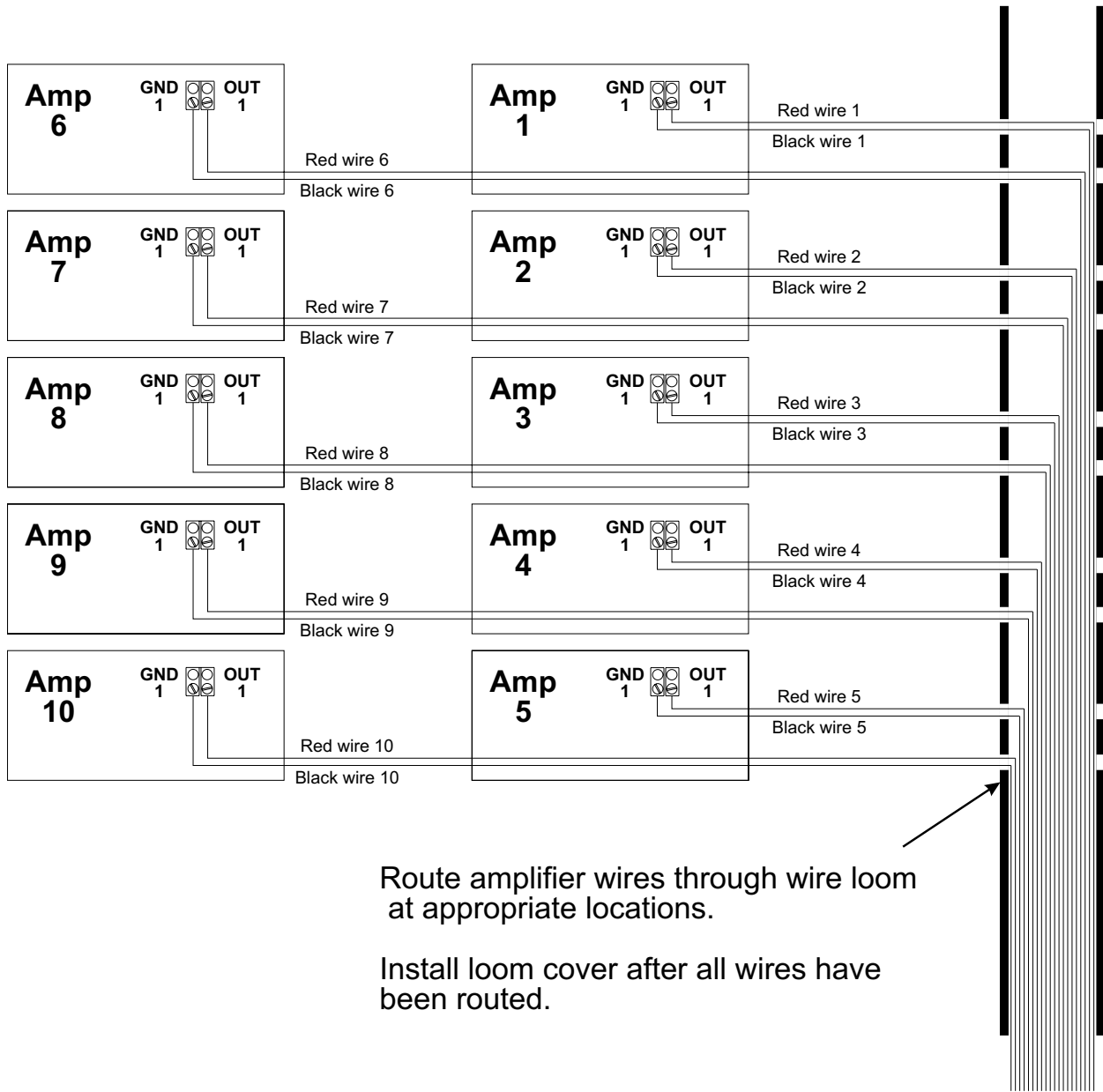
In systems with unused wires, dress the unused wires so they are out of the way. Do not cut these wires, as they can be used to replace damaged wires in the future.

NOTE: The following procedure provides the information necessary for successfully connecting the siren harness wires to their designated amplifiers. Depending upon the distance between the siren base and the electronic cabinet, there will be varying lengths of wire remaining in the cabinet. It is the installers responsibility to properly trim and dress these wires in a fashion that not only leaves the wires organized, but also includes a service loop of suitable length.

1. Locate the siren wiring harness where it enters the electronic cabinet.
2. Locate the BLACK and RED wires marked 1 on their insulation. These wires are designated for connection to siren amplifier 1.
3. Route these wires through the cabinet's wire loom and connect to Amp 1 (see "Fig. 13: Siren Amplifier Connections" on page 25).
4. Repeat steps 2 and 3, substituting the appropriate number for all remaining amplifiers.
5. When all amplifiers have been wired, install loom cover.

Authors Note: Prior to this writing, systems with 6 to 9 speaker cells received a 9-pair harness cable, with Red and Black wires numbered 1 to 9. Systems with 10 speaker cells received two, 5-pair cables. One cable used Red and Black wires numbered 1 to 5, while the remaining cable used Red and Black wires numbered 1A to 5A (to be used for amplifiers 6 thru 10).

Fig. 13: Siren Amplifier Connections



b) AC Wiring

An AC Service (Single Phase only) with an acceptable disconnect is required. A 15 amp (minimum) 120 VAC circuit is recommended.

Locate the service on the pole according to local codes, taking care that the service entrance will meet height requirements once the pole is set into place.

The WPS-2800 includes a 15 amp, 120 VAC outlet. The cabinet's battery charger plugs into one of the receptacles. The remaining receptacle is available for use by service personnel (see "Fig. 14: AC Outlet Installation" on page 27).

NOTE: A section of up to 24 inches of metal bonded seal tight conduit may be utilized where conduit connections to the siren case assembly are not conveniently accomplished with rigid steel conduit and fittings.

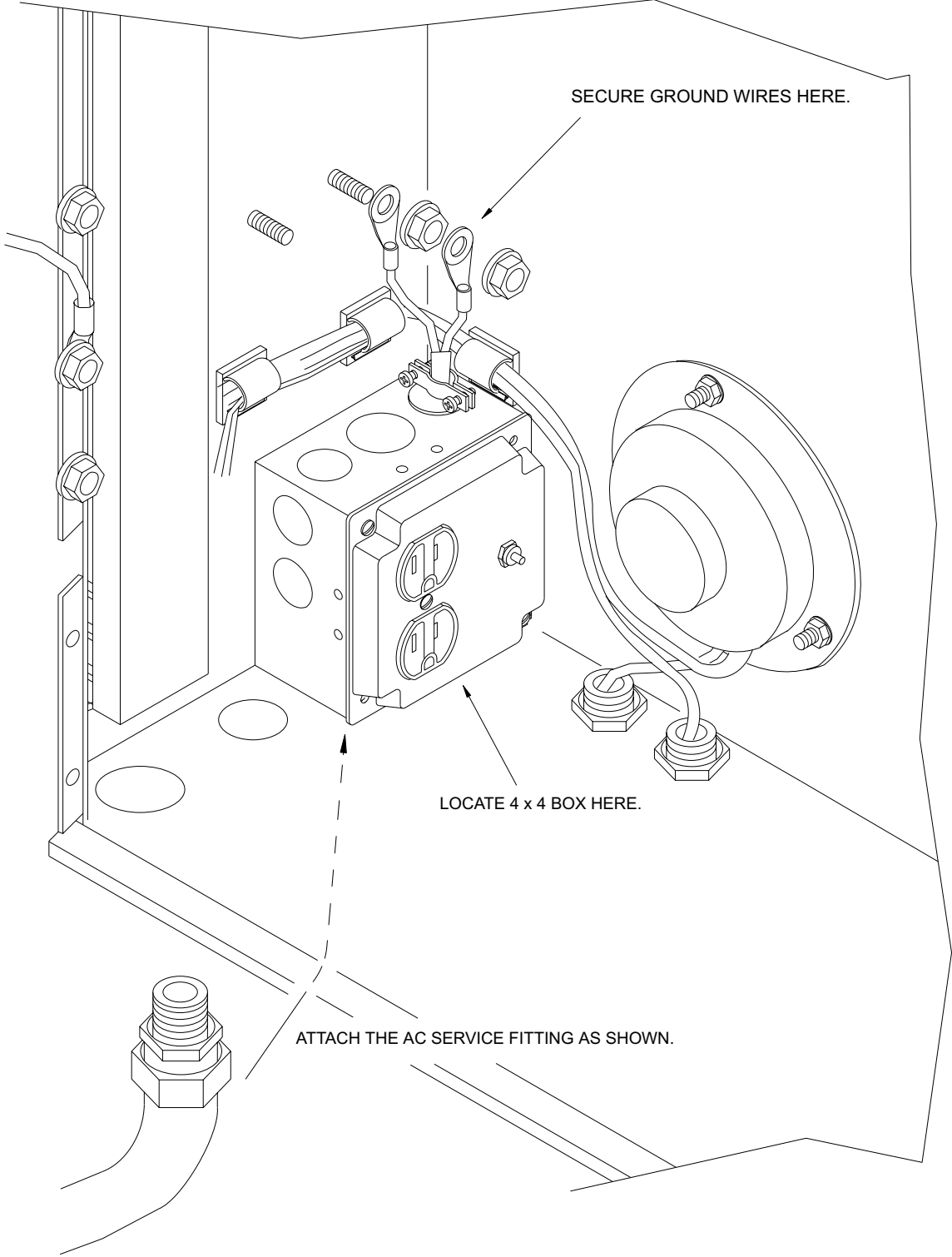
Each WPS-2800 siren system is supplied with a Lightning arrestor which is to be installed on the AC service. Local codes should be reviewed and followed to establish the connection of this device on the primary or secondary side of the disconnect.

NOTE: The location of the siren site should be reviewed for the quality of the AC service. AC power sources that are subject to excessive power surges or transients are not acceptable.

The AC charger is simply plugged into an AC duplex outlet (factory included) installed as follows:

- 1. Remove the cover from the 4" x 4" box.**
- 2. Position the 3/4" knock-out in the box above the 3/4" knockout in the cabinet.**
- 3. Attach a flex fitting (not included) through the cabinet and the box. This will secure the box to the cabinet.**
- 4. Connect the AC service to the leads on the cover assembly.**
- 5. Attach the cover to the box.**
- 6. Attach ground wire (GREEN) to cabinet ground stud above the installed outlet.**

Fig. 14: AC Outlet Installation



c) Batteries

- 1. Make sure that the system battery switch is in the OFF position.**
- 2. Install the batteries included with your system and connect them as shown in the illustration representing your cabinet type. MAKE SURE TO OBSERVE THE POLARITY OF THE TERMINALS BEFORE MAKING ANY CONNECTIONS.**

NOTE: For battery wiring, DC wiring conventions are used (BLACK is ground (-)).

For Type II Cabinets (see “Fig. 15: Battery Connections (Type II Cabinet)” on page 29)

Type III Cabinets (see “Fig. 16: Battery Connections (Type III Cabinet)” on page 30)

- 3. Rotate the system battery switch to the ON position.**
- 4. Plug the battery charger into the AC outlet.**
- 5. Verify system operation as outlined in the system maintenance check list.**

Fig. 15: Battery Connections (Type II Cabinet)

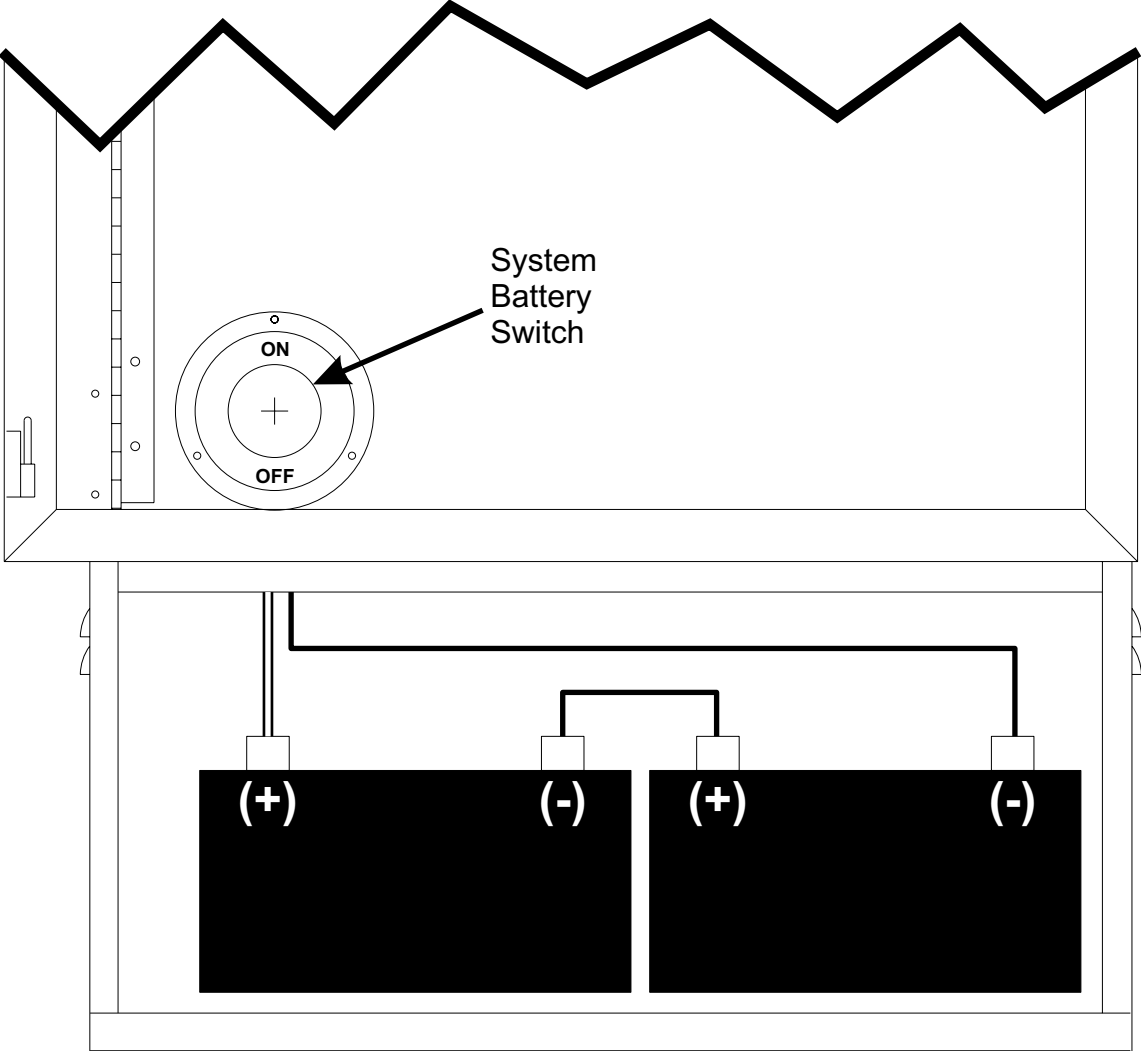
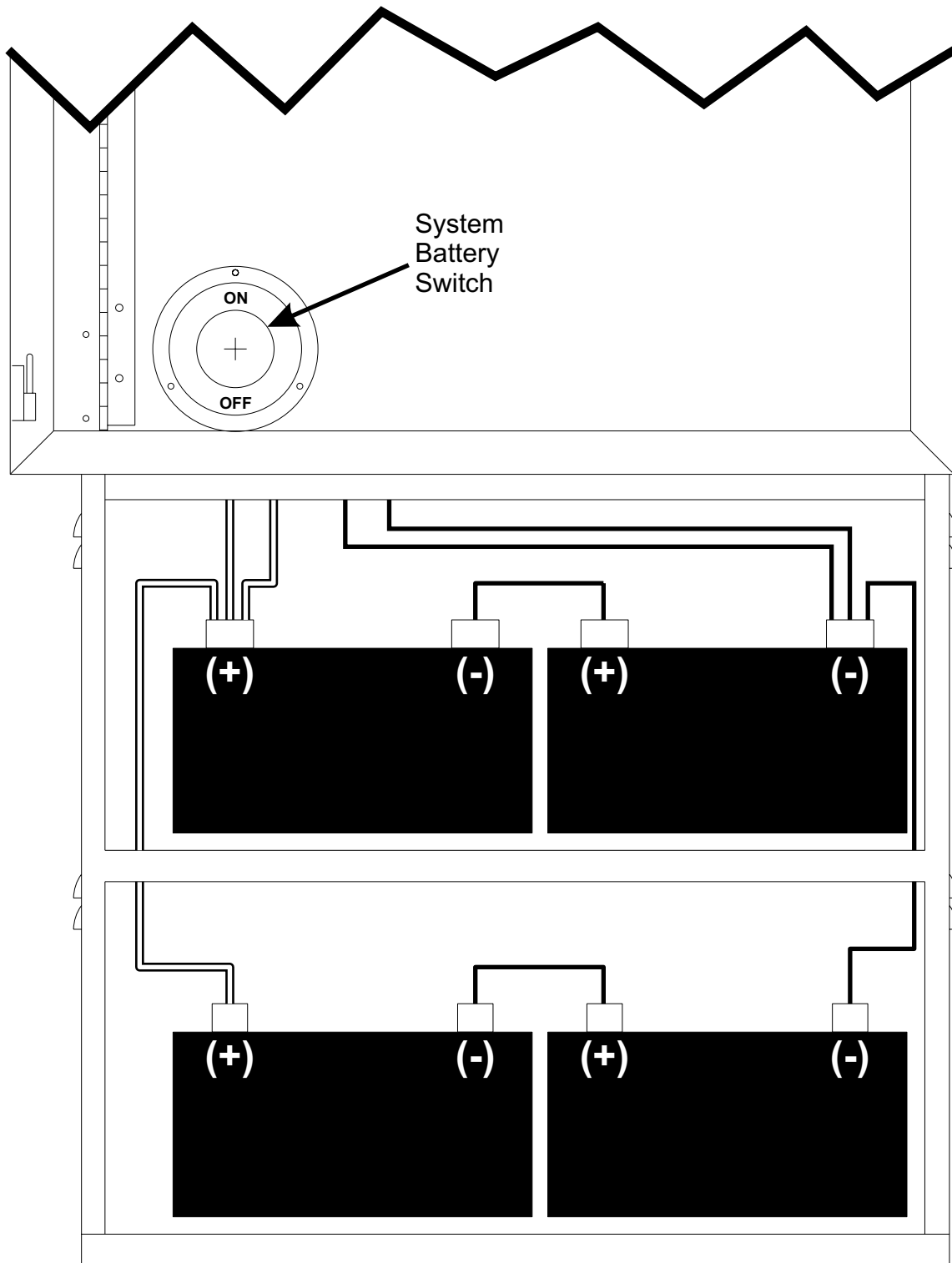


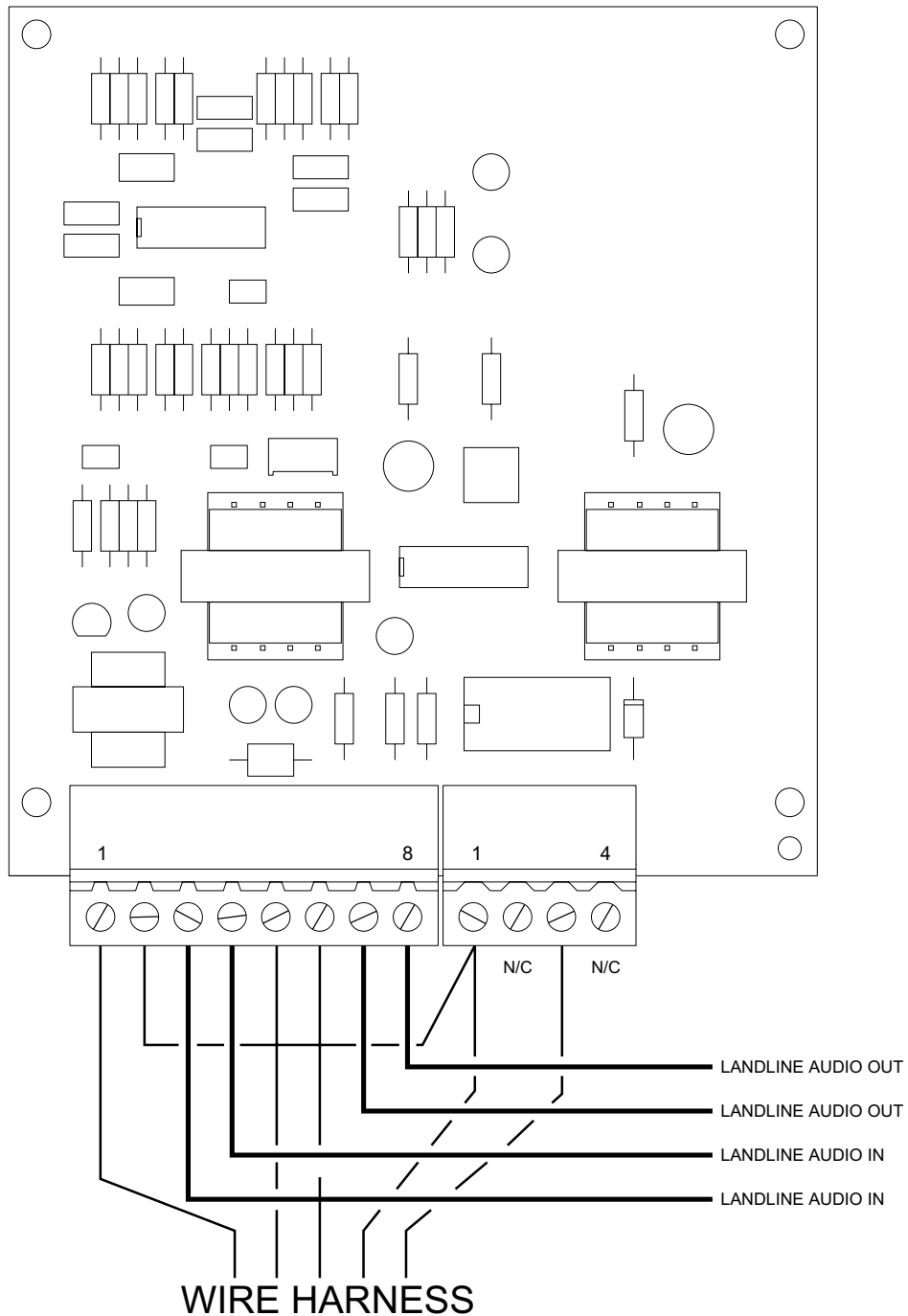
Fig. 16: Battery Connections (Type III Cabinet)



d) Landline (optional)

As an option, the WPS-2800 may be remotely controlled by either landline or RF link. Either method communicates via a DTMF protocol. Remote control may be one-way or two-way. The one-way option simply controls the WPS-2800, while the two-way option controls the WPS-2800 and reports WPS-2800 status back to a central control point.

Fig. 17: Landline Wiring



Section V: System Test...

After the installation of the WPS-2800 station has been completed, a basic system check is recommended to confirm that the system is functioning properly. Before initiating these tests, locate the system LED's on the main control board mounted to the cabinet door (see "Fig. 18: System LED Diagnostic Indicators" on page 33).

1. Confirm that the ACTIVE light on the control board is flashing at a rate of a 1/2 second on and a 1/2 second off.
2. Press the SI TEST® button on the siren front panel and check to make sure that all the siren amplifier diagnostic LED's illuminate for 5 seconds. These LED's are located on the front of the cabinet door.
3. After the amplifier LED's turn off, check to see if the AC, DC, PARTIAL and FULL LED's are on.

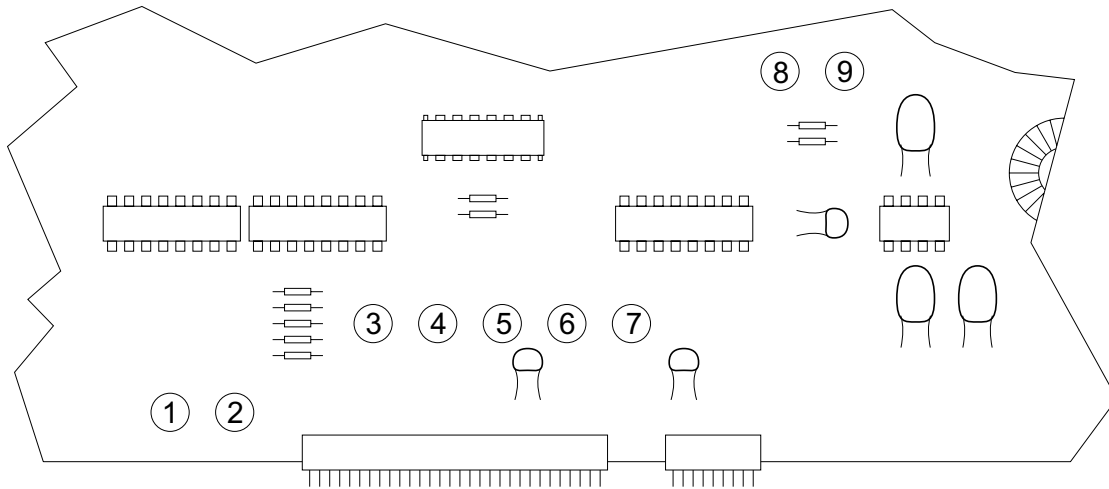
If one of your amplifier lights did not illuminate during this test then refer to the procedure below to troubleshoot the problem.

This procedure may be used when the Partial or Full LED's indicate a failure.

NOTE: In order for a "Full" indication to be valid, the "Partial" LED must also be on.

1. Press the SI TEST® button located on the front panel of the electronic cabinet. Each amplifier has a red LED diagnostic indicator that is visible on the front panel (see "Fig. 19: Electronic Cabinet Front Panel (Type II)." on page 34).
2. A SI TEST® will cause each amplifier's diagnostic indicator to turn on. If one or more do not turn on, proceed to step 3. If all indicators turn on, the siren amplifiers are functioning properly.
3. Open the front panel and remove the speaker driver from the amplifier that did not light and install it onto an amplifier that did light. For example: If amplifier 1 did not light but amplifier 2 did, install speaker 1 on amplifier 2 and speaker 2 on amplifier 1. This will indicate if the failure was with the speaker or the amplifier. For more information on troubleshooting the system, refer to the advanced trouble shooting manual.

Fig. 18: System LED Diagnostic Indicators



- | | |
|--|---|
| <p>① Fault (RED) - Normally off. When a problem has been detected, this LED will be on.</p> <p>② Active - This LED normally flashes at a rate of once every half seconds. When a problem has been detected, this LED will stop flashing or be off. Also indicates receipt of DTMF data by flashing at a faster rate for about 1 second.</p> <p>③ Rotator - This LED is not used with the WPS-2800 system.</p> <p>④ Full - Normally on. If a siren amplifier does not operate properly during a tone activation or SI TEST®, this LED will be off.</p> <p>⑤ Partial - Normally on. If all siren amplifiers do not operate properly during a tone activation or SI TEST®, this LED will be off. If at least one amplifier operates properly, it will remain on.</p> | <p>⑥ DC - Normally on. If no DC voltage was detected during a siren tone or SI TEST®, this LED will be off.</p> <p>⑦ AC - Normally on. If no DC voltage was detected during a siren tone or SI TEST®, this LED will be off.</p> <p>⑧ Squelch - Normally off. This LED will light when the station is receiving a radio broadcast. If equipped with the optional receive tone/squelch tone, the LED will only light when the receive frequency and sub-audible tone squelch frequency tone is detected.</p> <p>⑨ PTT - Normally off. This LED will light when the station transmitter is active.</p> |
|--|---|

NOTE: In some instances, optional circuit boards may be located directly above these LED's.

Fig. 19: Electronic Cabinet Front Panel (Type II).

