

WPS-4000-4

High-Power Voice and Siren System

Whelen's WPS-4000 Series High-Power Voice and Siren Systems deliver clear and powerful voice and siren communication.

Speaker Assembly:

WPS-4000-4 Speaker with four speaker cells active, heavy duty cast aluminum rotor, 50' speaker and rotor control cable and pole top mounting bracket.

Electronics Cabinet:

Two compartment, natural finish aluminum Type II case.

Upper compartment: Four Power Amplifiers, System Motherboard; Power Supply; ESC-864 Electronic Siren Controller with integral timer, tone generator, local controls and microphone jack; rotor relay control; battery switch and temperature compensated battery charger.

Lower compartment: two heavy duty lead calcium batteries and battery tray.

FEATURES

- 126dBc @ 100'.
- 5,200' Estimated 70dB Warning Perimeter.
- Six Warning Tones.
- Public Address.
- Speaker Positioning for Voice Announcements.
- Battery Powered with AC Battery Charger.
- Local or Remote Control.
- Rugged Cast Aluminum Rotor.
- Four High Efficiency 400 Watt Speaker Drivers. (One Per High Gain, Radial Horn).

OPTIONS

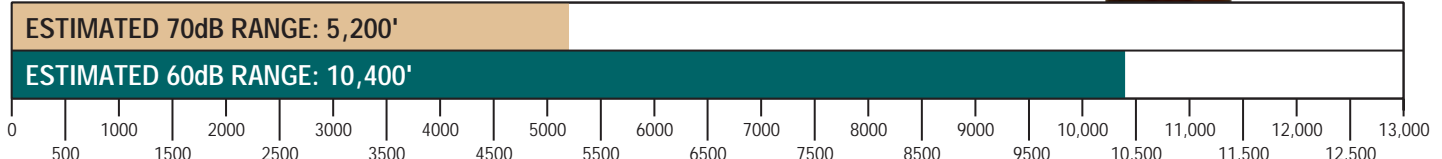
- Diagnostic Silent Test (SI TEST®).
- Remote Station Status Monitoring, COMM/STAT™.
- Environmental Monitoring/Status Reporting
- Pre-recorded Digital Voice Messages
- Solar Power

ACOUSTIC PERFORMANCE

SPL @ 100': 126dBc

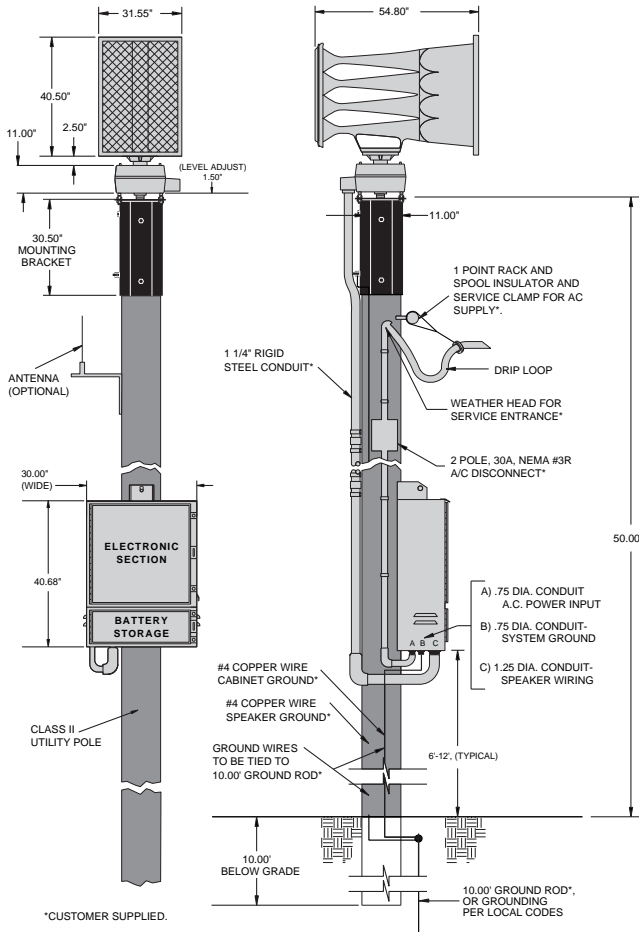
Note: 100' performance levels listed represent repeatable results within +/- 2dB to stated levels. Estimated 70 dB perimeter is based on the Federal Emergency Management Agency's (FEMA) -10dB per distance doubled path model.

WHELEN
ENGINEERING COMPANY, INC.

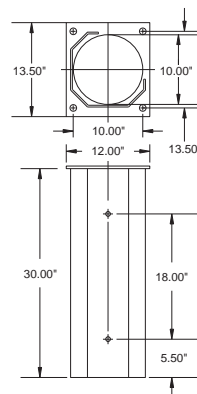


WPS-4000-4

Specification Data



POLE TOP BRACKET



WHELEN[®]

ENGINEERING COMPANY, INC.

Route 145, Winthrop Road
Chester, Connecticut 06412-0684

(860) 526-9504

1-800-63SIREN

Fax: (860) 526-4784

Internet: www.whelen.com

Whelen Engineering Company, Inc.
reserves the right to upgrade its products
with design improvements without notification.
©1997 Whelen Engineering Company, Inc.
Printed in the U.S.A.

111497-WPS40004-10566B



ENVIRONMENTAL

Battery Charger Input: 120VAC, 60 HZ, 5a fuse

Battery Charger Output: 10a

Batteries: 2-12V, 105ah lead calcium

Standby Current: 135ma, 24VDC

Operating Current: 96a, 24VDC

Power Amplifier Output Power:

Siren: 1600 Watts, Voice: 2000 Watts

COMPONENT	HEIGHT Inches (CM)	WIDTH Inches (CM)	DEPTH Inches (CM)	WEIGHT LBS. (KG)
WPS-4000-4 SPEAKER	54.00 (137.2)	31.55 (80.1)	54.80 (139.0)	316 (143.6)
ELECTRONIC CABINET TYPE II	40.68 (103)	30.00 (76)	10.0 (25.4)	256 (116.4)
POLE TOP BRACKET	30.0 (76)	12.00 (30.5)	10.0 (25.4)	71 (32)

ENVIRONMENTAL

Operating Temperature: -35° C to +60° C.

Storage Temperature: -65° C to +125° C.

Humidity, Non condensing: 0 to 95%.

ORDERING INFORMATION

Basic System: WPS-4000-4

Basic System Options:

■ STP-666 - Diagnostic Silent Test, SI TEST[®]

■ RDVM - Remote Station Digital Voice¹

■ D86410, D864L10, D864H10, D864U10 - One-Way Radio Control²

■ C86410, C864L10, C864H10, C864U10 - Two-Way Radio Control / Status Monitoring, COMM/STAT^{TM2}

■ CTCSS-R - Tone Squelch, Receive

■ CTCSS-RT - Tone Squelch, Receive and Transmit

■ INTRUII - Intrusion Alarm

■ LBALARM - Low Battery Alarm

■ SBC-2/40, SBC-2/60 - Solar Power³

NOTES

- 1-16 messages available. Available message lengths: 15, 30 or 60 seconds
2. Whelen 864 Series Radio Controls. Available frequencies: VHF Low Band (V-L) 30-50 Mhz, VHF High Band (V-H) 150-170 Mhz, UHF (U) 450-470 Mhz. VHF Low Band systems equipped with unity gain antenna. VHF High Band and UHF systems equipped with 2-3dB gain omni-directional antenna. 35' RG58 antenna cable and antenna mounting bracket included.
3. Solar power option includes 2-40 watt or 60 watt panels, mounting bracket and regulator.